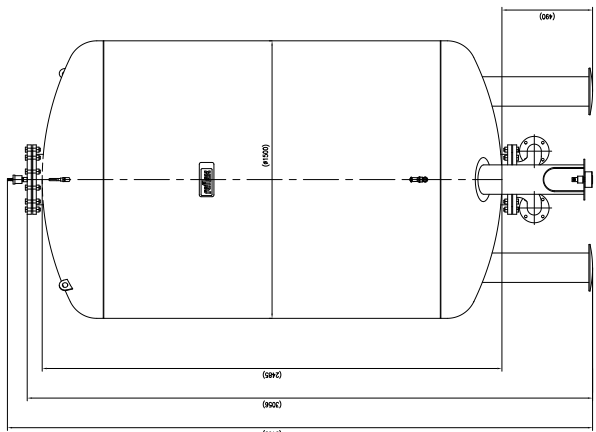
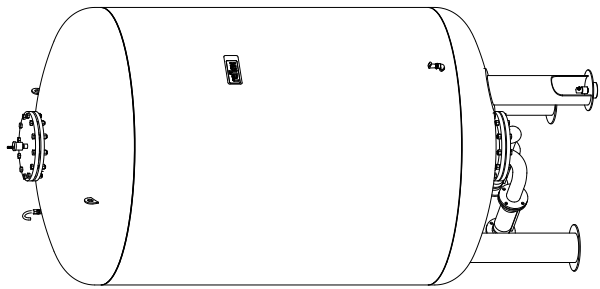


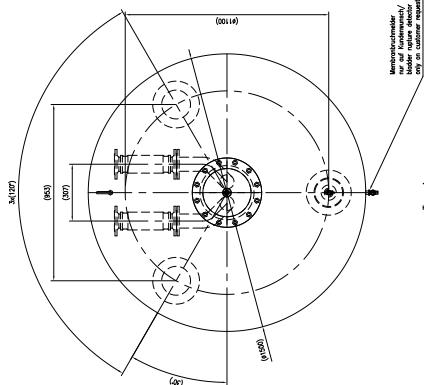
Side view



Front view



Isometric view



Top view